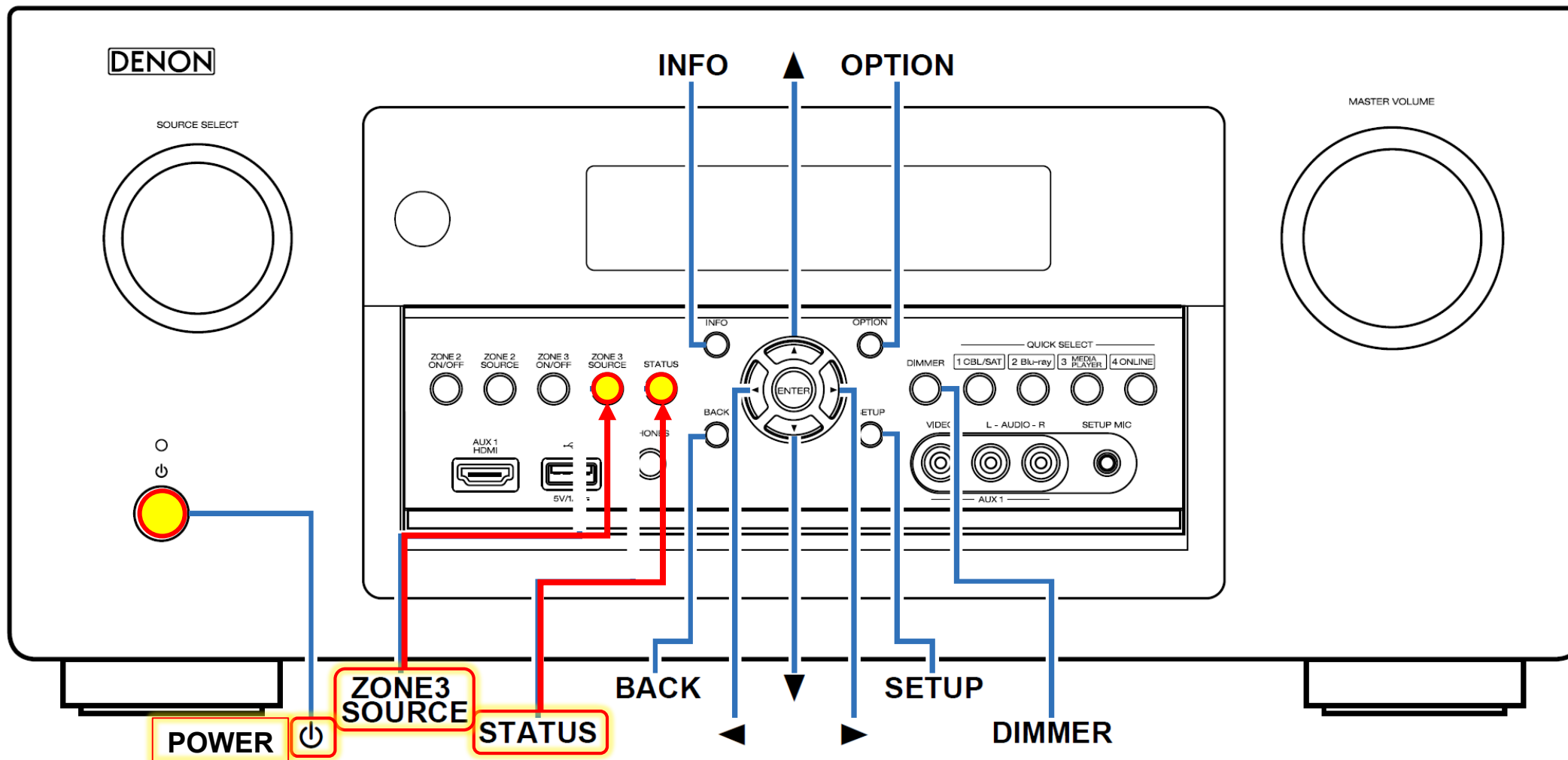


Protection History Mode records and displays an event in which the THERMAL, CURRENT, ASO or DC protection was activated.



#### Procedure to enter the "Protection History Display Mode"

1. Hold down buttons "**STATUS**" and "**ZONE3 SOURCE**" at the same time and press the power button to turn on the power.
2. Select "**PROTECTION**" using the "**CURSOR ▼**" button, and press the "**ENTER**" button.
3. Press the "**STATUS**" button and the unit will display the Protection History condition.

<p>1. If no protections have occurred, “No Protect” is displayed</p>	<table border="1"> <tr> <td>FLD</td> <td>L1</td> <td>P</td> <td>R</td> <td>O</td> <td>T</td> <td>E</td> <td>C</td> <td>T</td> <td>H</td> <td>I</td> <td>S</td> <td>T</td> <td>O</td> <td>R</td> <td>Y</td> </tr> <tr> <td></td> <td>L2</td> <td>:</td> <td>N</td> <td>O</td> <td></td> <td>P</td> <td>R</td> <td>O</td> <td>T</td> <td>E</td> <td>C</td> <td>T</td> <td></td> <td></td> <td></td> </tr> </table>	FLD	L1	P	R	O	T	E	C	T	H	I	S	T	O	R	Y		L2	:	N	O		P	R	O	T	E	C	T			
FLD	L1	P	R	O	T	E	C	T	H	I	S	T	O	R	Y																		
	L2	:	N	O		P	R	O	T	E	C	T																					
<p>2. if last protection was ASO, “ASO” is displayed.</p>	<table border="1"> <tr> <td>FLD</td> <td>L2</td> <td>:</td> <td>A</td> <td>S</td> <td>O</td> <td></td> <td></td> <td></td> <td></td> <td></td> <td></td> <td></td> <td></td> <td></td> <td></td> </tr> </table>	FLD	L2	:	A	S	O																										
FLD	L2	:	A	S	O																												
<p><b>Cause:</b> A short circuit occurred between the speaker terminals, or speakers with an impedance outside the rating were connected. If the power is turned on during this abnormality, protection is activated after around 6 seconds and the power is turned off.</p>																																	
<p>3. If the last protection was DC, “DC” is displayed.</p>	<table border="1"> <tr> <td>FLD</td> <td>L2</td> <td>:</td> <td>D</td> <td>C</td> <td></td> <td></td> <td></td> <td></td> <td></td> <td></td> <td></td> <td></td> <td></td> <td></td> <td></td> </tr> </table>	FLD	L2	:	D	C																											
FLD	L2	:	D	C																													
<p><b>Cause:</b> DC output of the power amplifier is abnormal. If the power is turned on during this abnormality, protection is activated after around 6 seconds and the power is turned off.</p>																																	
<p>4. If the last protection was THERMAL(E) or THERMAL(F), “THERMAL E or THERMAL F” is displayed.</p>	<table border="1"> <tr> <td>FLD</td> <td>L2</td> <td>:</td> <td>T</td> <td>H</td> <td>E</td> <td>R</td> <td>M</td> <td>A</td> <td>L</td> <td>E</td> <td></td> <td></td> <td></td> <td></td> <td></td> </tr> <tr> <td>FLD</td> <td>L2</td> <td>:</td> <td>T</td> <td>H</td> <td>E</td> <td>R</td> <td>M</td> <td>A</td> <td>L</td> <td>F</td> <td></td> <td></td> <td></td> <td></td> <td></td> </tr> </table>	FLD	L2	:	T	H	E	R	M	A	L	E						FLD	L2	:	T	H	E	R	M	A	L	F					
FLD	L2	:	T	H	E	R	M	A	L	E																							
FLD	L2	:	T	H	E	R	M	A	L	F																							
<p><b>Cause:</b> Abnormal heat sink temperature. If the power is turned on during this abnormality, protection is activated after around 6 seconds and the power is turned off.</p>																																	
<p>5. When the last protection incident was CURRENT protection, “CURRENT” is displayed</p>	<table border="1"> <tr> <td>FLD</td> <td>L2</td> <td>:</td> <td>C</td> <td>U</td> <td>R</td> <td>R</td> <td>E</td> <td>N</td> <td>T</td> <td></td> <td></td> <td></td> <td></td> <td></td> <td></td> </tr> </table>	FLD	L2	:	C	U	R	R	E	N	T																						
FLD	L2	:	C	U	R	R	E	N	T																								

FLD	Fluorescent Display
L1	Line 1
L2	Line 2

**Caution:** These protections may also be activated due to causes such as disconnection of connectors or operations around the microcomputer. If the power is turned on during this abnormality, protection is activated after around 2 minutes and the power is turned off. After viewing the above protection history, press the button "STATUS" to return to the normal display.

### Clearing the Protection History

If the unit is in "Protection History Display Mode", just press and hold the "ENTER" button for 3 seconds. **Note:** If you do not mind erasing your settings from this unit, you can also "Initialized/Micro Reset the unit to clear the Protection History from the unit's memory.

If the unit is not in "Protection History Display Mode", enter the "Protection History Display Mode":

Hold down buttons "STATUS" and "ZONE3 SOURCE" at the same time and press the power button to turn on the power.

Select the "2. PROTECTION" using the button "CURSOR ▼", and press the "ENTER" button.

Press the "STATUS" button and the unit will display the Protection History condition.

Press and hold "ENTER" for 3 seconds.

FLD	L1	P	R	O	T	E	C	T		H	I	S	T	O	R	Y	
	L2	:	D	C													

Press and hold "ENTER" for 3 seconds and "CLEAR" is displayed followed by "NO PROTECT". The unit's Protection History is now cleared.

FLD	L2	:							C	L	E	A	R				
FLD	L2	:	N	O		P	R	O	T	E	C	T					

### Warning Displays by POWER LED

If the power is turned off while a protection is detected, the POWER LED (red) flashes in the following ways as a warning according to the protection status.

- (a) ASO/DC protection: Flashes in 0.5-second cycles (0.25 seconds lit, 0.25 seconds unlit)
- (b) THERMAL (E/F) protection: Flashes in 2-second cycles (1 seconds lit, 1 seconds unlit)
- (c) CURRENT protection: Flashes in 4-second cycles (2 seconds lit, 2 seconds unlit)

