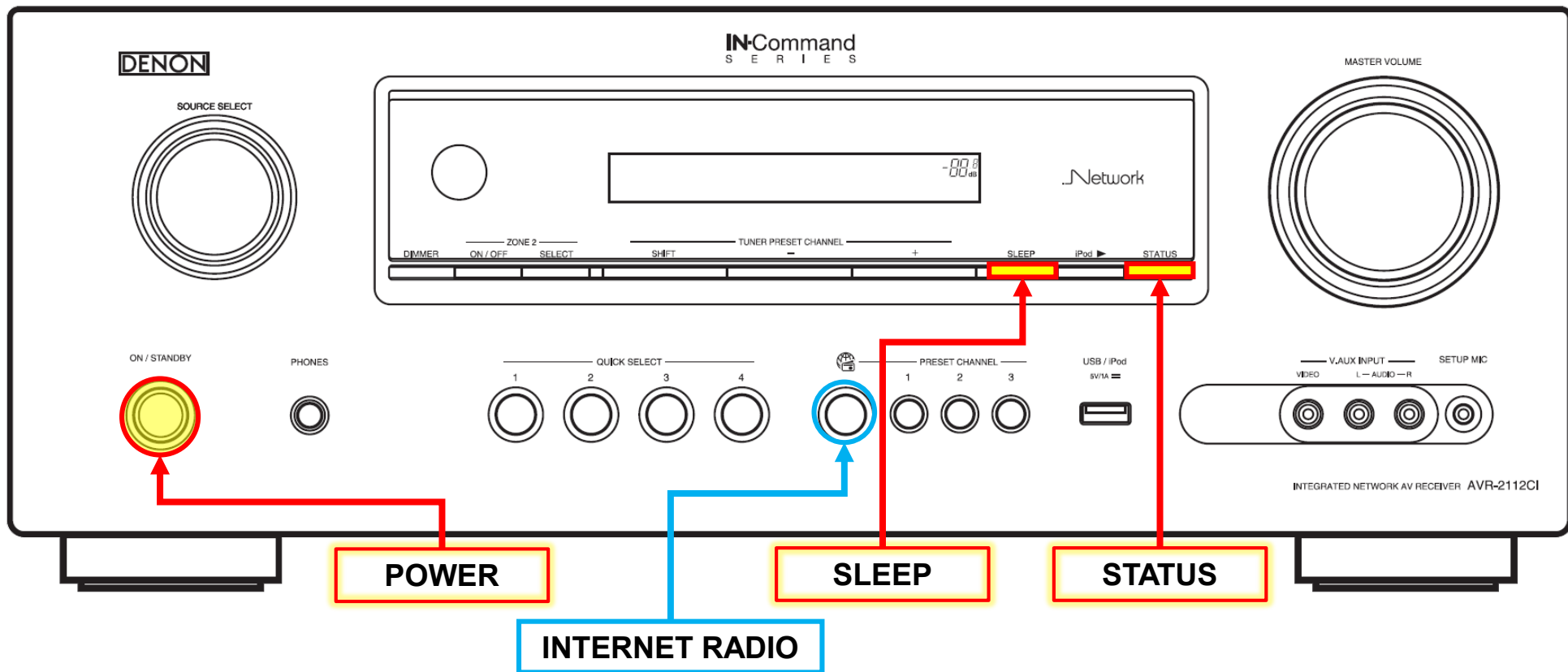


Protection History Mode records and displays an event in which the THERMAL, CURRENT, ASO or DC protection was activated.



Procedure to enter the "Protection History Display Mode".

1. Press and hold the "SLEEP" and the "STATUS" buttons at the same time and press the "POWER" button to turn on the power.
2. Press the "STATUS" button again and the unit will display the Protection History condition.

<p>1. If no protections have occurred, “No Protect” is displayed</p>	<table border="1"> <tr> <td>FLD</td> <td>P</td><td>R</td><td>O</td><td>T</td><td>E</td><td>C</td><td>T</td><td></td><td>H</td><td>I</td><td>S</td><td>T</td><td>O</td><td>R</td><td>Y</td><td></td> </tr> <tr> <td></td> <td>:</td><td>N</td><td>O</td><td></td><td>P</td><td>R</td><td>O</td><td>T</td><td>E</td><td>C</td><td>T</td><td></td><td></td><td></td><td></td><td></td> </tr> </table>	FLD	P	R	O	T	E	C	T		H	I	S	T	O	R	Y			:	N	O		P	R	O	T	E	C	T					
FLD	P	R	O	T	E	C	T		H	I	S	T	O	R	Y																				
	:	N	O		P	R	O	T	E	C	T																								
<p>2. if last protection was ASO, “ASO” is displayed.</p>	<table border="1"> <tr> <td>FLD</td> <td>P</td><td>R</td><td>T</td><td>:</td><td>A</td><td>S</td><td>O</td><td></td><td></td><td></td><td></td><td></td><td></td><td></td><td></td> </tr> </table>	FLD	P	R	T	:	A	S	O																										
FLD	P	R	T	:	A	S	O																												
<p>Cause: The line between speaker terminals is shorted, or speakers with impedance of less than the rated value. Supplementary information: As the excess current is detected after operation of the speaker relay, a short on the speaker terminal and the connected speaker can be identified. If the power is turned on without correcting the abnormality, the protection function will work about 5 seconds later and the power supply will be shut off.</p>																																			
<p>3. If the last protection was DC, “DC” is displayed.</p>	<table border="1"> <tr> <td>FLD</td> <td>P</td><td>R</td><td>T</td><td>:</td><td>D</td><td>C</td><td></td><td></td><td></td><td></td><td></td><td></td><td></td><td></td><td></td> </tr> </table>	FLD	P	R	T	:	D	C																											
FLD	P	R	T	:	D	C																													
<p>Cause: DC output of the power amplifier is abnormal. If the power is turned on during this abnormality, protection is activated after around 5 seconds and the power is turned off.</p>																																			
<p>4. If the last protection was THERMAL, “THERMAL A or THERMAL B” is displayed.</p>	<table border="1"> <tr> <td>FLD</td> <td>P</td><td>R</td><td>T</td><td>:</td><td>T</td><td>H</td><td>E</td><td>R</td><td>M</td><td>A</td><td>L</td><td></td><td>A</td><td></td><td></td> </tr> <tr> <td>FLD</td> <td>P</td><td>R</td><td>T</td><td>:</td><td>T</td><td>H</td><td>E</td><td>R</td><td>M</td><td>A</td><td>L</td><td></td><td>B</td><td></td><td></td> </tr> </table>	FLD	P	R	T	:	T	H	E	R	M	A	L		A			FLD	P	R	T	:	T	H	E	R	M	A	L		B				
FLD	P	R	T	:	T	H	E	R	M	A	L		A																						
FLD	P	R	T	:	T	H	E	R	M	A	L		B																						
<p>Cause: Abnormal heat sink and temperature. If the power is turned on without correcting the abnormality, the protection function will work about 5 seconds later and the power supply will be shut off.</p>																																			

FLD	Fluorescent Display
-----	---------------------

Caution: These protections may also be activated due to causes such as disconnection of connectors or operations around the microcomputer. When the "STATUS" button is pressed again after the above protection history as shown above is displayed, the normal display reappears.



Clearing the Protection History

If the unit is in "Protection History Display Mode", just press and hold the "**INTERNET RADIO**" button for 3 seconds. **Note:** If you do not mind erasing your settings from this unit, you can also "Initialized/Micro Reset the unit to clear the Protection History from the unit's memory.

If the unit is not in "Protection History Display Mode", enter the "**Protection History Display Mode**":

1. Press and hold the "**SLEEP**" and the "**STATUS**" buttons at the same time and press the "**POWER**" button to turn on the power.
2. Press the "**STATUS**" button again and the unit will display the Protection History condition.

Press and hold "**INTERNET RADIO**" for 3 seconds.

FLD	P	R	T	:	D	C													
-----	---	---	---	---	---	---	--	--	--	--	--	--	--	--	--	--	--	--	--

Press and hold "**INTERNET RADIO**" for 3 seconds and "**CLEAR**" is displayed followed by "**NO PROTECT**". The unit's Protection History is now cleared.

FLD	P	R	T	:		C	L	E	A	R									
-----	---	---	---	---	--	---	---	---	---	---	--	--	--	--	--	--	--	--	--

FLD	P	R	T	:	P	R	O	T	E	C	T								
-----	---	---	---	---	---	---	---	---	---	---	---	--	--	--	--	--	--	--	--

Warning Displays by POWER LED

If the power is turned off while a protection is detected, the POWER LED (red) flashes in the following ways as a warning according to the protection status.

- (1) ASO/DC protection: Flashes in 0.5-second cycles (0.25 seconds lit, 0.25 seconds unlit)
- (2) THERMAL (A/B) protection: Flashes in 2-second cycles (1 seconds lit, 1 seconds unlit)

